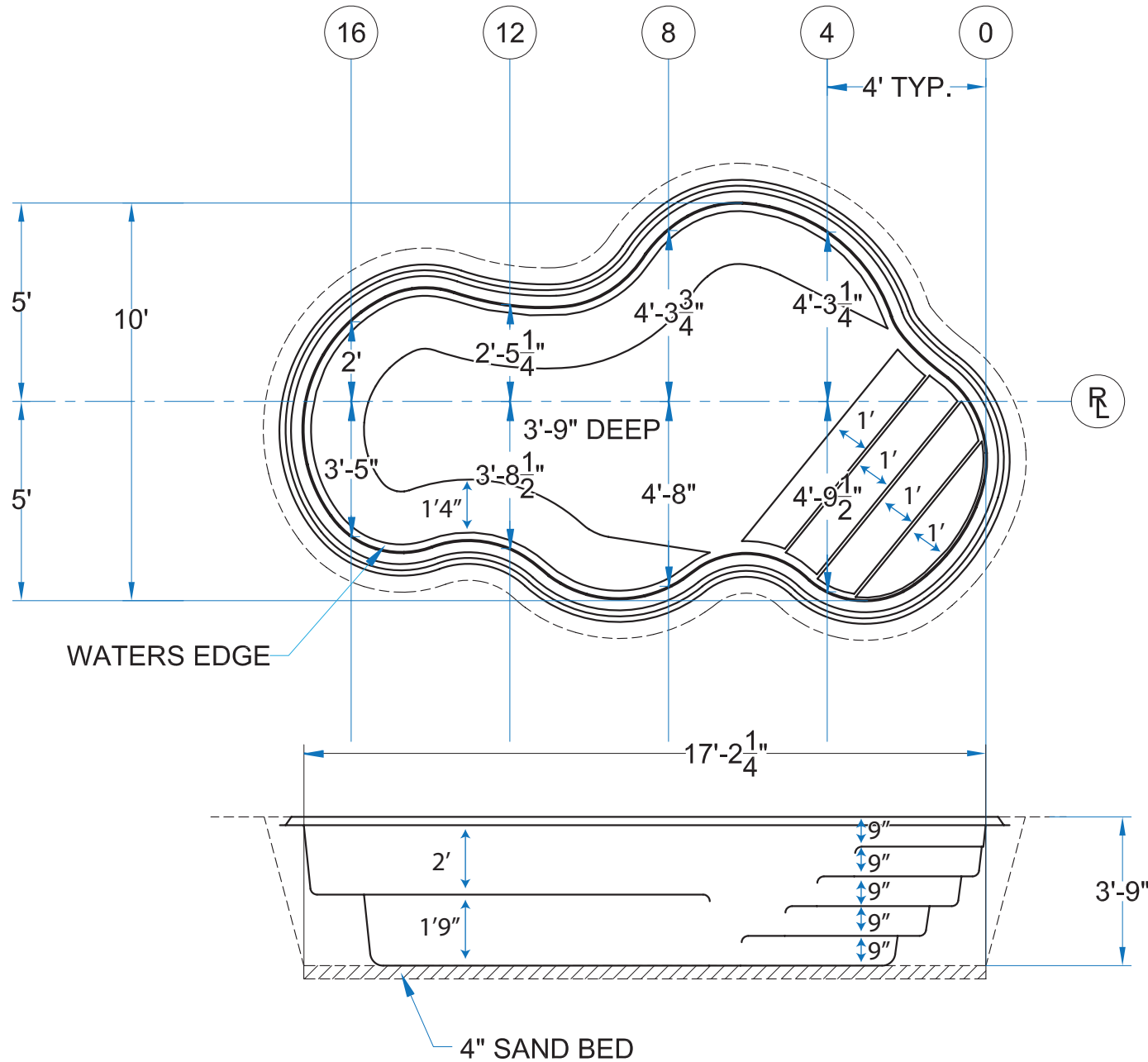


ALL MEASUREMENTS TO WATERS EDGE - ADD PREFERRED OVERDIG



VANCOUVER 734 - DIG PLAN

WEIGHT: 750 LBS
 AREA: 120 SQ FT
 PERIMETER: 46 FT
 VOLUME: 2050 GAL

SCALE 1/4"=1'-0"

DATE 08-03-2016

DRAWN BY KLB

REVISION 02

ALL MEASUREMENTS AND QUANTITIES ARE BASED ON AVERAGES